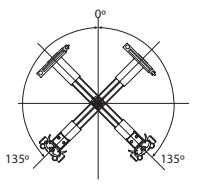
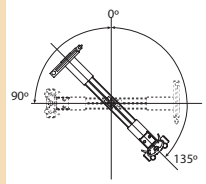
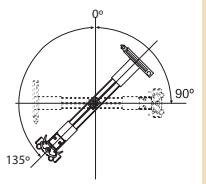


DDR MAK - 1000 Digital Radiography System

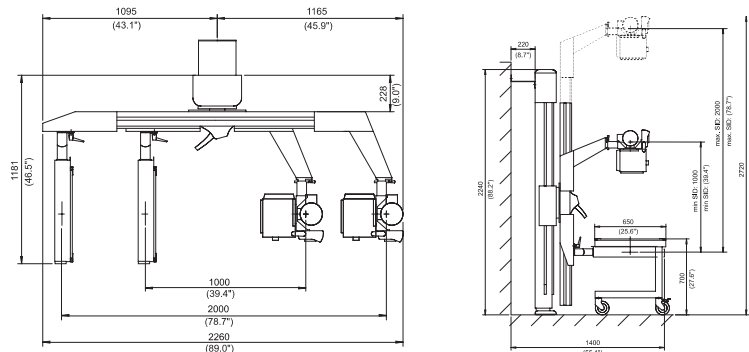
SPECIFICATIONS

Flat panel detector:	Imaging Area: 422 mm x 406 mm Image Readout Time < 2 seconds	Number of Pixels: 6.7 million (each pixel 160 microns) Connectivity: DICOM Compatible	Dynamic Range: 14 bit ADC, 12 bit exported Fill Factor: Near 100%
Basic unit	Source-image distance (SID): 40-79 inches (100-200 cm) continuously adjustable (manually) Power supply: 115, 208, 230, 240 VAC; single phase, 350 VA Dimensions (H x W x D): 107 x 89 x 55 inches (2,720 x 2,260 x 1,400 mm)		
Main Column	Sturdy wall and floor-mounted support column with counterbalanced swivel arm for effortless, accurate setting		
Swivel arm	45 inches (1,140 mm) Vertical Travel: Electromagnetic (24 V DC), and manual Brakes: Electromagnetic (24 V DC), and manual Range of rotation: Manual Version		
			
	bucky on left side (standard)	bucky on left side (standard)	bucky on right side (optional)
Bucky unit	Type: - with cassette holder and bucky (max. cassette size: 17 x 17 inches (43 x 43 cm)) - range of tilt $\pm 45^\circ$ - flat locking rails for accessories		
Grid	103 lines / Ratio 10:1 / $f\# = 150$ cm. Other grids can be used if required		
Generator	Compact X-ray generator (line powered / battery powered)		
Tube assembly	X-Ray tube turnable 360° with angle reading and detents at every 45° .		
Collimator	Manual collimator with light field indicator and rails for accessories		
Patient table	Dimensions (L x W x H): 79 x 26 x 28 inches (2,000 x 650 x 700 mm)		
Options	- Installation of bucky on right hand side - Ionization chamber for bucky unit - Motorized movement for SID and vertical travel		
Accessories	- Compression band device - Head support		
Weights	- URS net weight (table not included): 554 lbs. (260 kg) - Table net weight: 102 lbs. (46 kg)		

Specifications subject to change without notice.



Medicatech USA
50 Maxwell
Irvine, CA 92618
(800) 817-5030
(949) 679-2881
www.medicattechusa.com
info@medicatechusa.com



DDR MAK - 1000 Direct Digital Radiography System

